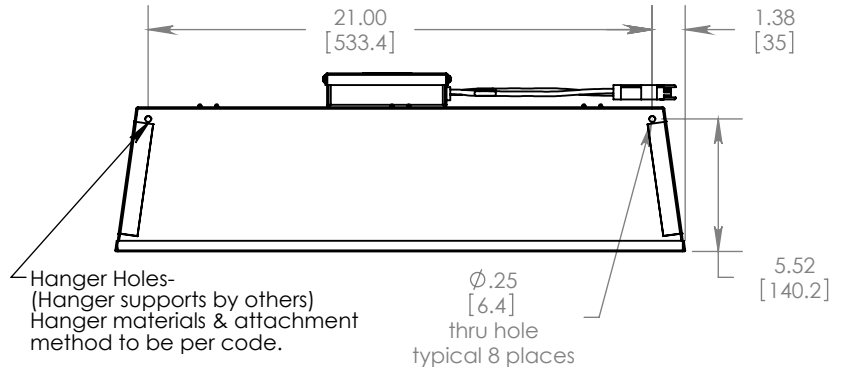
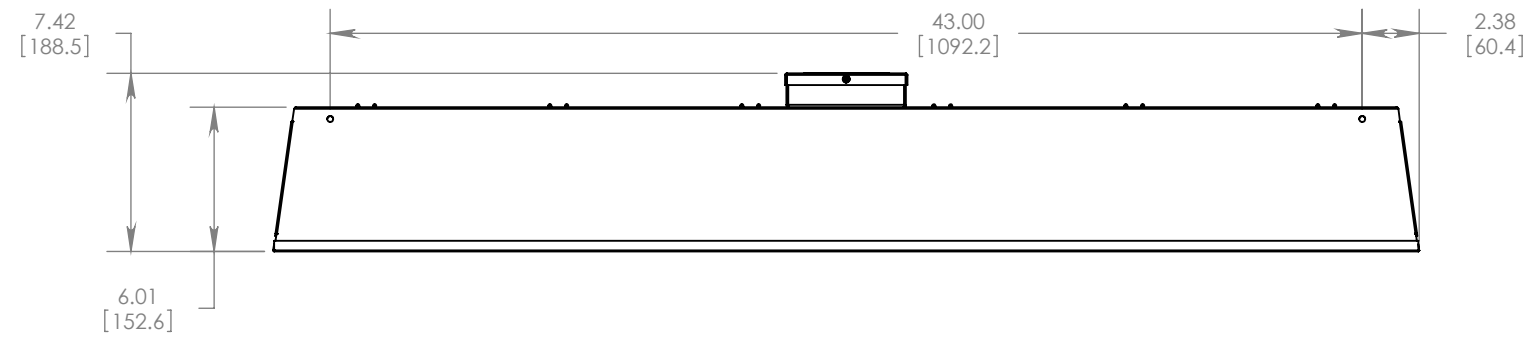
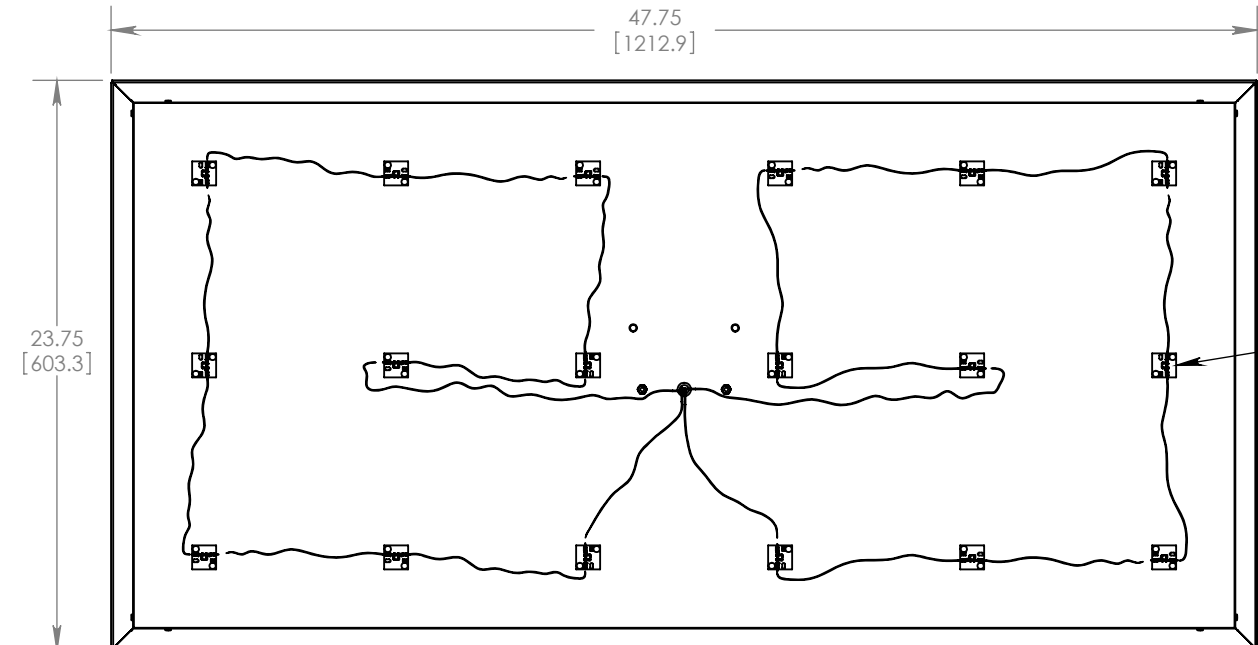


3-D View



Hanger Holes-
(Hanger supports by others)
Hanger materials & attachment
method to be per code.

Ø.25
[6.4]
thru hole
typical 8 places



LED Modules

- Notes:
1. Dimensions are in inches.
 2. Dimensions in brackets are mm.
 3. All sharp edges are to be broken.
 4. Circled dimensions are inspection dimensions.
 5. Dimensions in parentheses are reference dimensions only.
 6. GPI units are not for use in Plenum ceilings.
 7. GPI units are built to UL specifications.

GPI-234-2x4

<p>Everbrite Lighting Technologies</p>	<p>PROPRIETARY AND CONFIDENTIAL These drawings are the exclusive property of Everbrite, LLC. Use of, or duplication in any manner without express written permission of Everbrite, LLC. is prohibited.</p>		<p>SCALE 1:8</p>	<p>SHEET SIZE B</p>
	<p>1 OF 1</p>			
<p>4949 South 110th St. Greenfield, WI 53220</p>	<p>TITLE Ceiling GPI, Gen II, GA, 2x4</p>		<p>WEIGHT 8.7</p>	<p>DRAWING NO GPI-234-2x4</p>
<p>TOLERANCES (except as noted): ANGLE ±1° X.XX ± .02 X.XXX ± .005</p>	<p>DRAWN BY K. Smith</p>	<p>DATE 08 Dec 12</p>	<p>REV -</p>	
	<p>CHECKED BY</p>	<p>DATE</p>		